



REPLY TO
ATTENTION OF

DEPARTMENT OF THE ARMY
THE INSTITUTE OF HERALDRY
9325 GUNSTON ROAD, ROOM S112
FORT BELVOIR, VIRGINIA 22060-5579

AAHS-IHS (840-10a)

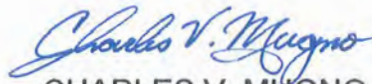
OCT 30 2014

MEMORANDUM FOR Commander, D Company, 3-16 Cavalry Squadron, ATTN:
RSLC, 10450 Ware Street, Building 4932, Fort Benning, GA 31905

SUBJECT: Beret Flash and Background Trimming for D Company, 3d Squadron, 16th
Cavalry Regiment

1. The request for a beret flash and background trimming for D Company, 3d Squadron, 16th Cavalry Regiment is approved. Forwarded for your organizational records is the authorization letter (encl 1).
2. Also enclosed for use in procurement of the items are:
 - a. Manufacturing drawings for the flash and trimming (TIOH Dwg. No. A-4-295 and A-6-323) (encls 2 and 3).
 - b. Color prints and black and white line drawings of the flash and trimming (encls 4 and 5).
 - c. A list of certified manufacturers and procedures for local procurement of insignia (encls 6 and 7).
3. POC this Institute is Mrs. Henning by telephone at DSN 656-4972, Commercial (703) 806-4972 or by email at Bonnie.Henning@us.army.mil.

7 Encls
as


CHARLES V. MUGNO
Director



REPLY TO
ATTENTION OF

DEPARTMENT OF THE ARMY
THE INSTITUTE OF HERALDRY
9325 GUNSTON ROAD, ROOM S112
FORT BELVOIR, VIRGINIA 22060-5579

AAHS-IHS (840-10a)

OCT 30 2014

MEMORANDUM FOR Commander, D Company, 3-16 Cavalry Squadron, ATTN:
RSLC, 10450 Ware Street, Building 4932, Fort Benning, GA 31905

SUBJECT: Beret Flash and Background Trimming for D Company, 3d Squadron, 16th
Cavalry Regiment

1. In accordance with the provisions of AR-670-1, a beret flash and background trimming are authorized for wear by members of D Company, 3d Squadron, 16th Cavalry Regiment.
2. The descriptions of the designs are as follows:

BERET FLASH

A black shield-shaped embroidered item with a semi-circular base 2 1/4 inches (5.72 cm) in height and 1 7/8 inches (4.76 cm) in width overall, divided diagonally by a golden yellow stripe from upper right to lower left, surmounted by a narrow orange stripe, edged with a 1/16 inch (.16 cm) white inner border and 1/8 inch (.32 cm) scarlet outer border, marked with six scarlet hash marks three to the left and three to the right.

BACKGROUND TRIMMING

A black oval-shaped embroidered item 1 3/8 inches (3.49 cm) in height and 2 1/4 inches (5.72 cm) in width overall, divided diagonally by a golden yellow stripe from upper right to lower left, surmounted by a narrow orange stripe, edged with a 1/16 inch (.16 cm) white inner border and 1/8 inch (.32 cm) scarlet outer border, marked with six scarlet hash marks three to the left and three to the right.


CABLE NUMBERS OF COLORS

Black	#67138
Golden Yellow	#67104
White	#67101
Scarlet	#67111
Orange	#67110

AAHS-IHS (840-10a)

SUBJECT: Beret Flash and Background Trimming for D Company, 3d Squadron, 16th Cavalry Regiment

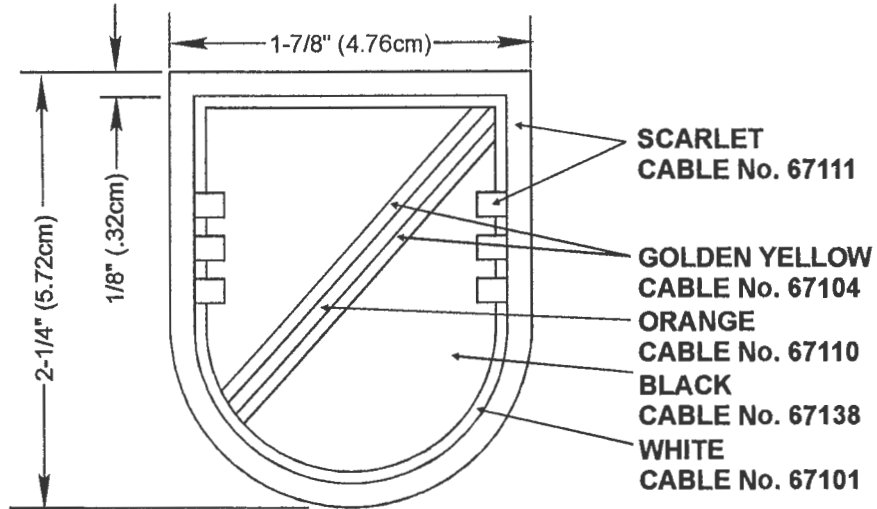
3. This authorization does not grant exclusive use of the above colors and pattern design for D Company, 3d Squadron, 16th Cavalry Regiment.


CHARLES V. MUGNO
Director

CF: CMH

REVISIONS

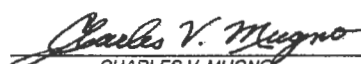
LTR	DESCRIPTION	DATE	APPROVED
-----	-------------	------	----------



DESIGNED FOR OVEREDGE STITCHING

UNLESS OTHERWISE SPECIFIED DIMENSIONS ARE IN INCHES
TOLERANCES ON FRACTIONS DECIMALS ANGLES

MATERIALS:
TO BE MANUFACTURED IN ACCORDANCE WITH MIL-DTL-14652

EXAMINED	TLC	
CHECKED	CA	SAO
PREPARED	CLH	
APPROVED	 CHARLES V. MUGNO DIRECTOR	

THE INSTITUTE OF HERALDRY, DEPARTMENT OF THE ARMY
9325 GUNSTON RD, RM S-113 FORT BELVOIR, VA 22060-5579

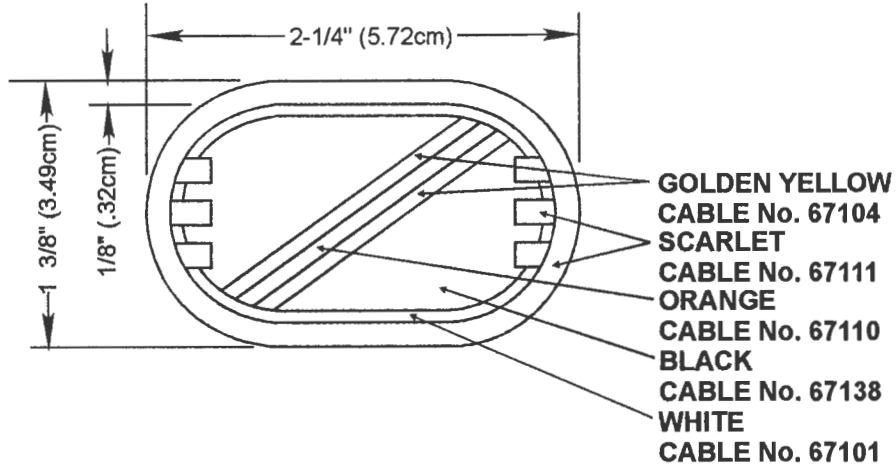
BERET FLASH FOR
**SIXTEENTH CAVALRY REGIMENT
THIRD SQUADRON, D COMPANY**

SIZE	CONTROL IDENT. NO	A-4-295
A	22571	

SCALE	FULL	DATE	29 OCTOBER 2014
-------	------	------	------------------------

REVISIONS

LTR	DESCRIPTION	DATE	APPROVED
-----	-------------	------	----------



DESIGNED FOR OVEREDGE STITCHING

UNLESS OTHERWISE SPECIFIED DIMENSIONS ARE IN INCHES
TOLERANCES ON FRACTIONS DECIMALS ANGLES

MATERIALS:
TO BE MANUFACTURED IN ACCORDANCE WITH MIL-DTL-14652

EXAMINED	<i>TLG</i>	
CHECKED	<i>CA</i>	<i>Sao</i>
PREPARED	<i>CLH</i>	
APPROVED	 CHARLES V. MUGNO DIRECTOR	

THE INSTITUTE OF HERALDRY, DEPARTMENT OF THE ARMY
9325 GUNSTON RD, RM S-113 FORT BELVOIR, VA 22060-5679

BACKGROUND TRIMMING FOR
SIXTEENTH CAVALRY REGIMENT
THIRD SQUADRON, D COMPANY

SIZE	CONTROL IDENT. NO	A-6-323
A	22571	

SCALE	FULL	DATE	29 OCTOBER 2014
-------	------	------	------------------------

